

## 10G PT ROSA with Pigtail Modules

### OSMPTP-C13EFA

#### Features:

- ◆ Differential Output
- ◆ Coaxial Package
- ◆ Single Power Supply Voltage +3.3V
- ◆ Laser Welding, High reliability and Long Operation life
- ◆ Wavelength from 1260nm to 1620nm
- ◆ Data Rate Up to 10G
- ◆ Low Noise
- ◆ RoHS Compliant Products Available

#### Applications:

- ◆ 10G SONET/SDH System
- ◆ 10G Fiber Channel System

#### Absolute Maximum Ratings:

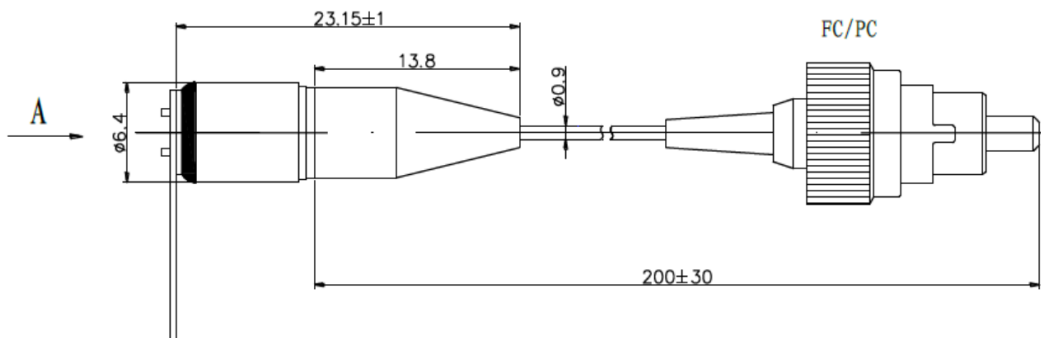
Parameter	Min.	Typ.	Max.	Unit
Storage Temperature	-40	-40	85	°C
Operating Temperature	0	-40	85	°C
Soldering Temperature / Time	--	--	260/10	°C/S

#### Electrical and Optical Characteristics:

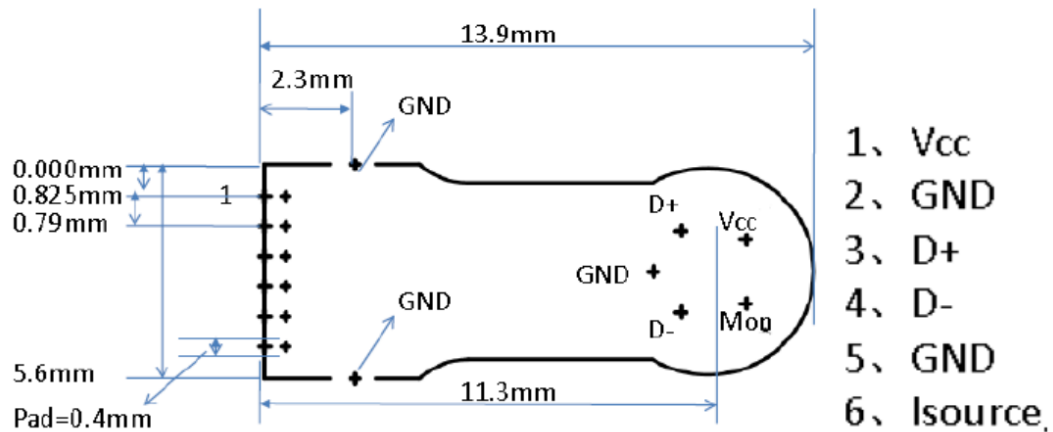
Parameter	Symbol	Min.	Typ.	Max.	Unit	Test Condition
Power Supply	Vcc	3.0	3.3	3.6	V	
Operating Wavelength	$\lambda$	1260	--	1620	nm	
Supply Current	Icc	--	27	34	mA	No Loads
Small-Signal Bandwidth	BW	8.0	--	--	MHz	
Low-Frequency Cut off	LF	--	14	30	kHz	
Sensitivity	Sens	---	---	-16	dBm	1310nm, 10Gbps PRBS2 <sup>31</sup> -1, ER ≥ 6dB BER=10 <sup>-12</sup>
Saturation Power	Psat	0	--	--	dBm	

## Package Dimension:

LC-9 receptacle (with fiber stub and sleeve,metal parts)



## FPC



## Precaution:

- (1) The modules should be handled in the same manner as ordinary semiconductor devices to prevent the electro-static damages. For safe keeping and carrying, the modules should be packaged with ESD proof material. To assemble the modules on PCB, the workbench, the soldering iron and the human body should be grounded.
- (2) Please pay special attention to the atmosphere condition because the dew on the module may cause some electrical damages.
- (3) Under such a strong vibration environment as in automobile, the performance and reliability are not guaranteed.

## Notice:

OSM reserves the right to make changes or discontinue any product or service identified in this publication, without notice, in order to improve design and/or performance. Applications that are described herein for any of the products are for illustrative purposes only. OSM makes no representation or warranty that such applications will be suitable for the specified use without further testing or modification.