

## GYZ32 Series Optical Connector

### Features:

- ◆ Composite shell with ruggedization
- ◆ Bulkhead sealing coupling configuration, connecting 2, 4 or 6-fiber at one time
- ◆ Neutral mechanism, plug and receptacle randomly mating
- ◆ Ceramic ferrule and sleeve, PC, UPC polishing

### Applications:

- ◆ Optical fiber military communication networks
- ◆ Military computer networks
- ◆ Vehicle, air-borne or carrier-borne equipments

### Performance Specifications:

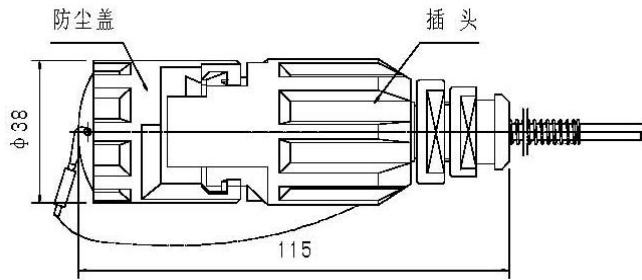
Parameter	Unit	SM			MM		
		2-pole	4-pole	6-pole	2-pole	4-pole	6-pole
Insertion Loss	dB	≤0.6	≤0.8	≤1.0	≤0.6	≤0.8	≤1.0
Repeatability	dB	≤0.2					
Vibration	dB	10~500Hz, acceleration 98m/s <sup>2</sup>					
Shock	---	980m/s <sup>2</sup>					
Durability(cycles)	---	1000					
Operating temperature	°C	-40 ~ +70					

**Note:**

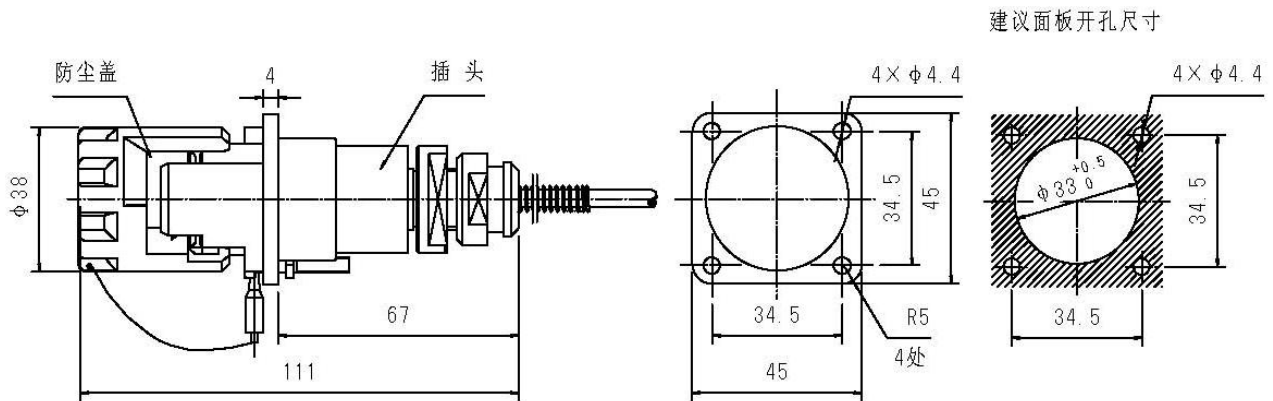
- 1) Insertion loss is only for the plug and cable itself is counted additionally (SM 0.4dB/km@1310nm, MM50/125 0.8dB/km@1300nm, MM62.5/125 1dB/km@1300nm) ;
- 2) Insertion loss of adapter≤0.3 dB;
- 3) if the product is used at 1550 nm, make special requirement in the order.

Composite optic cable connectors with neutral mechanism are multi-fiber optic cable connectors per GJB1919. The product uses composite shell with ruggedization and light weight. Plug and receptacle can mate randomly. Presently this series have 3 types of 2-pole, 4-pole and 6-pole. Connectors with the same number of contacts are intermateable. Such as, GYZ32F2, GYZ32F2A, GYZ32F2C, GYZ32T2, GYZ32T2A, GYZ32T2C. 2-Pole connectors are intermateable.

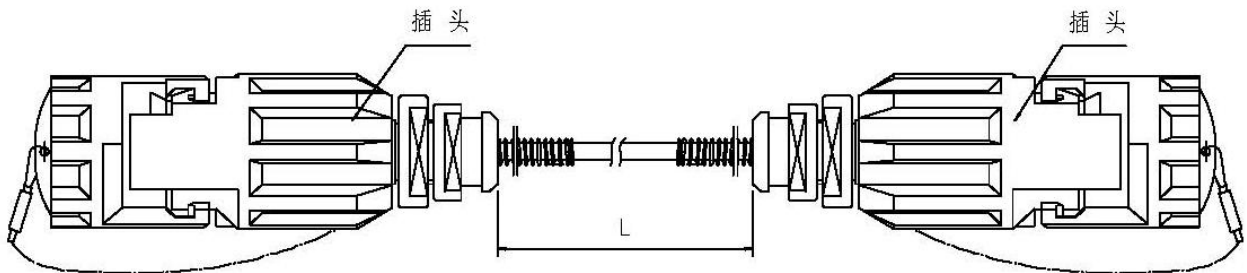
**GYZ32 Plug As:**



**G**



**GYZ32 Neutral Optic Cable Connector: (outside the vehicle)**



Note: L can be provided as user's requirement.

**Applicable Cable:**

P/N	GYZ32F2 GYZ32T2	GYZ32F2A GYZ32T2A	GYZ32F4A GYZ32T4A	GYZ32F2C GYZ32T2C	GYZ32F6 GYZ32T6	GYZ32F4C GYZ32T4C	GYZ32F6C GYZ32T6C
Optic cable feature	C5*2	C5*2	C5*4	C5*2	C6*6	C6.5*4	C6.5*6
Applicable cable OD (mm)	φ5 2-Pole field operation optic cable		φ5 4-Pole field operation optic cable	φ5 2-Pole armored field operation optic cable	φ6 6-Pole field operation optic cable	φ6.5 4-Pole armored field operation optic cable	φ6.5 6-Pole armored field operation optic cable
Rear protection ways	Rubber jacket		Metallic spring				

**Nomenclature:**
**GYZ32** □ □ □

A B C

A	Configuration type	T=Plug	F=square flange receptacle	
B	Number of contacts	A=2-pole	B=4-pole	C=6-pole
C	Design number	A	B	C