

Hermaphroditic Expanded Beam Connectors XL (HEBXL)



Features:

- ◆ EUROCOM II Form Factor
- ◆ Hermaphroditic
- ◆ Multimode & Singlemode
- ◆ 1-12 Channels
- ◆ Plug and Bulkheads
- ◆ Field Repairable
- ◆ Anodized Aluminum / Stainless Steel
- ◆ RFID Marked

Applications:

- ◆ Military, Oil & Gas. Broadcast & Industrial

Description:

The HEBXL style Expanded Beam connector is designed to comply with the Military Standard.

The broadcast and industrial markets also use this connector style in a variety of application.

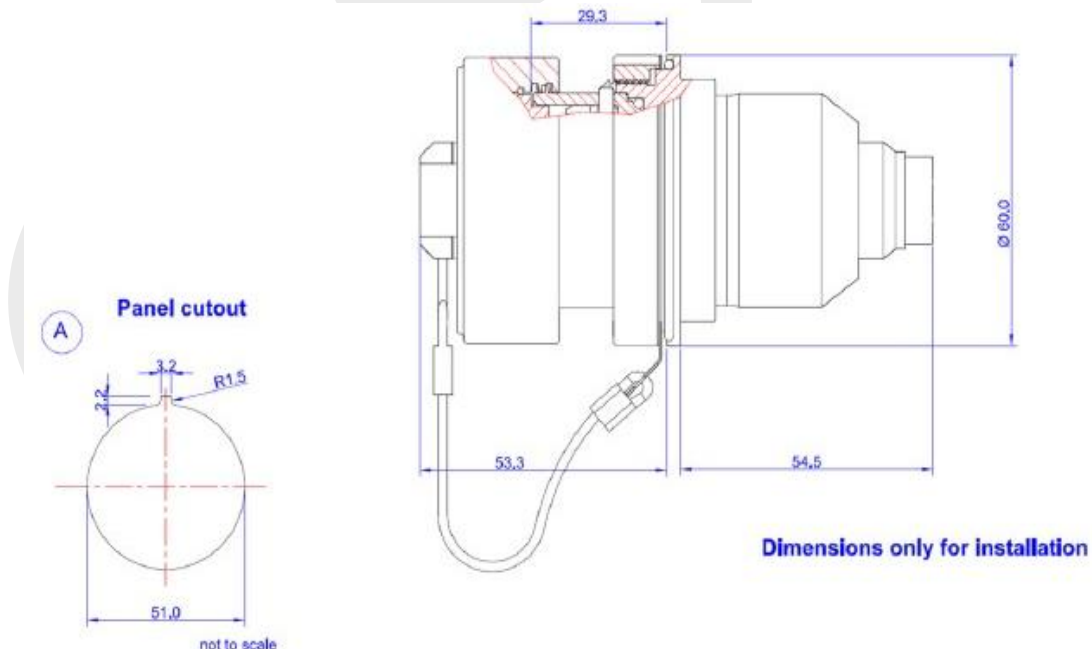
The HEBXL range features 1-12 optical channels in Multimode & Singlemode.

The Expanded Beam technology allows the usage of optical communication in the harshest environments and the connector range; provide the user with the security that the communication link will work: first time, every time.

The hermaphroditic design is particularly useful and provides unique benefits in rapid deployment or cable extensions as no adaptors are needed. Any two connectors can just be interconnected.

Performance Specifications:

Item	Parameter
Insertion Loss	50/125 @ 850-1300nm <2.0dB
	9/125 @ 1310-1550nm <1.5 dB
Return Loss	9/125 @ 1310-1550nm
	Actual value depending on construction Special High Return Loss Versions >30dB
Vibration Sinusoidal	10-500Hz, 0.75 amplitude @ 10g acceleration
Free Fall Resistance	500 falls onto concrete from 1.2M height
Bump Resistance	4000 bumps @ 40g acceleration
Tensile Strength	Tensile of 1500N, cable dependent
Cable Variations	Compatible with tactical cable: -
	Plug: - typical 6mm or 7mm OD Bulkheads: - With strain relief - Same as Plug Without Strain Relief - <3mm per channel
Water Immersion	Up to 2m depth
Operating Temperature	-40 ~ +70°C
Storage Temperature	-55 ~ +85°C

Jam Nut Bulkhead:


Flange Mount Bulkhead:

