

1.25G PIN-TIA Receiver with SC Receptacle Modules

OSMS-ROSAXX713XX

Features:

- ◆ High sensitivity
- ◆ Differential ended output
- ◆ Single +3.3V operation
- ◆ Trans-impedance amplifier with AGC
- ◆ RoHS Compliant products available
- ◆ Used in I-Source circuit mainly

Applications:

- ◆ 1.25G application
- ◆ SDH/SONET application

General:

OSMS-ROSAX713XX Series is a 4 pin or 5 pin PIN-TIA with Receptacle operating on 1.25G. It provides high sensitivity with AGC, 100ohm differential outputs PIN-TIA provides a monitor pin. A split sleeve for the optical connector is jointed with $\varnothing 2.5\text{mm}$ ferrule.

Ordering Information: (Standard version ^{*Note1})

Part No.	Insulation	Voltage (V)	Pin Type	Ferrule sets of type
OSMS-ROSA57130B	NO	3.3	A	Ceramic sleeve
OSMS-ROSA6J7130W	YES	3.3	A	No ceramic sleeve
OSMS-ROSA5713DW	NO	3.3	D	No ceramic sleeve
OSMS-ROSA6J713DB	YES	3.3	D	Ceramic sleeve

*Note1: For more ordering information, please refer the nomenclature and contact OSM sales.

Absolute Maximum Ratings:

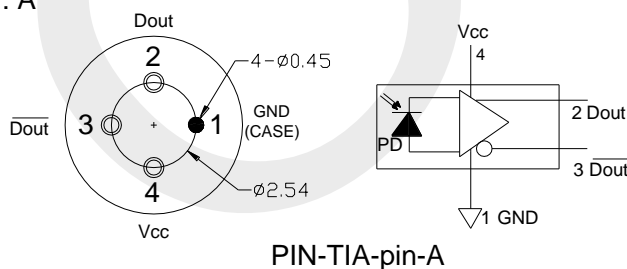
Parameter	Min.	Typ.	Max.	Unit
Storage Temperature	-40	25	85	°C
Operating Temperature	-40	25	85	°C
TIA Supply Voltage	3.1	3.3	3.5	V
Operation Relative Humidity	-		85	%
Soldering Temperature / Time	-		260/10	°C/S

Electrical and Optical Characteristics:

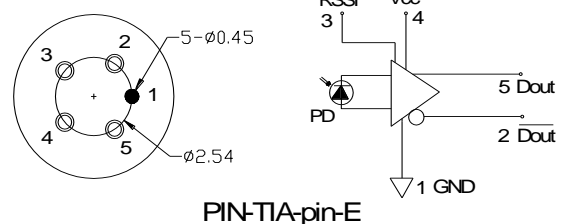
Parameter	Symbol	Min.	Typ.	Max.	Unit	Test Condition
Operating Wavelength	λ	1100		1650	nm	
Supply Current	I _{cc}		43		mA	V _{cc} = 3.3V
Saturation Power	P _{load}	0	-	-	dBm	2 ²³ -1 PRBS, BER=10 ⁻¹⁰ , ER=9-10dB
High Frequency Bandwidth (-3dB)	BW		1.65		GHz	RL = 50
Low-Frequency Cut off	LF			5	kHz	
Sensitivity			-27	-26	dBm	1310nm, 1.25G, ER=10@ PRBS= 2 ²³ -1, BER=1E-10
Single Ended Output Impedance	R		50		Ω	
Rise /Fall Time	T			4.5	ns	10~90%

Pin Assignment: ^{*Note2}

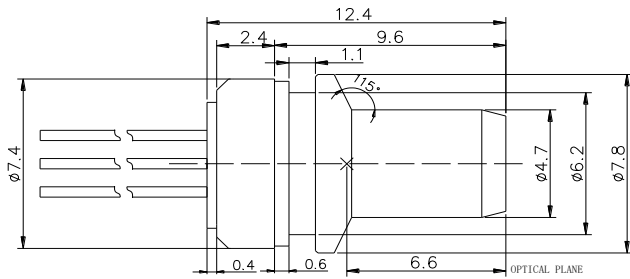
TYPE: A



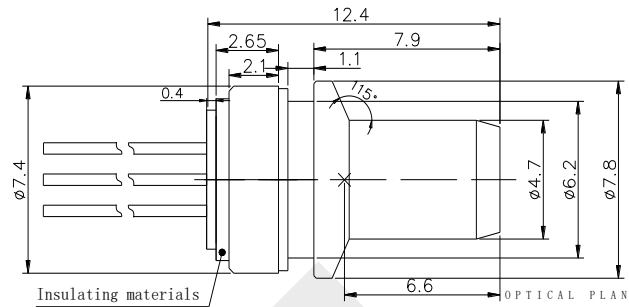
TYPE: E



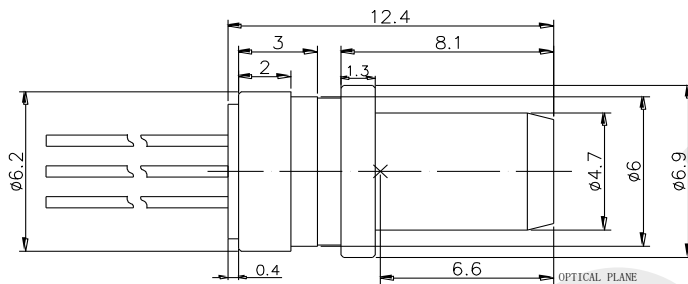
Note2: Other Pin type can be customized.

Package Dimension: *Note3


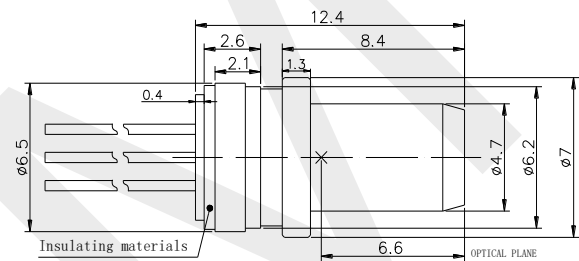
SC-ROSA5



Insulation SC-ROSA5



SC-ROSA6



Insulation SC-ROSA6

*Note3: Insulation is the TO-CAN and the metal pipe insulation.

Nomenclature:

OSMS-ROSA

A B C D E F G

A	Split sleeve Type	5=ROSA5		6=ROSA6	
B	Insulation	J= Insulation		BLANK=Non-insulated structure	
C	Data Rate	7=1.25G			
D	Wavelength	1=1270~1620nm			
E	Voltage	3=3.3V			
F	Pin Type	0= pin-A		E= pin-E*	
G	Ferrule sets of type	BLANK=With the ceramic sleeve and the SM fiber-stub	B=With a ceramic sleeve	M= with a split sleeve and the MM fiber-stub	W=Without the ceramic sleeve and Without the fiber-stub

*note: If the component is used in Source circuit, the PIN type should be "E".

Precaution:

(1) The modules should be handled in the same manner as ordinary semiconductor devices to prevent the electro-static damages. For safe keeping and carrying, the modules should be packaged with ESD proof material. To assemble the modules on PCB, the workbench, the soldering iron and the human body should be grounded.

(2) Please pay special attention to the atmosphere condition because the dew on the module may cause some electrical damages.

(3) Under such a strong vibration environment as in automobile, the performance and reliability are not guaranteed.

Notice:

OSM reserves the right to make changes or discontinue any product or service identified in this publication, without notice, in order to improve design and/or performance. Applications that are described herein for any of the products are for illustrative purposes only. OSM makes no representation or warranty that such applications will be suitable for the specified use without further testing or modification.