

1310nm LD for 155M~2.5G Transmitting and 1550nm PD for less than 3.2G

Receiving(OSMW-XXTX3XXXXRA1XXM)

Features:

- ◆ Coaxial Package
- ◆ InGaAsP/InP MQW-FP Laser Diode and InGaAs PIN Detector
- ◆ Low threshold, high slope efficiency and high output power
- ◆ Operating Case Temperature: -40°C to +85°C
- ◆ Single-mode fiber pigtailed with SC,FC,ST or LC connector
- ◆ High channel isolation



Applications:

- ◆ Long distance digital transmission system
- ◆ Cable television system
- ◆ WDM systems

General:

OSMW-XXX-T3XXXXX/R20XXXX Series are WDM Series with Coaxial Laser and Detector, use InGaAsP/InP MQW chip and InGaAs PIN, which has features as follows: low noise, low distortion, excellent isolation, high reliability, high linearity and wide communication band. The laser diode and detector are mounted into a coaxial package with single mode fiber pigtail.

Absolute Maximum Ratings:

Parameter	Symbol	Ratings	Unit
Storage Temperature	Tstg	-40~+100	°C
Operating Case Temperature	Top	-40~+85	°C
Soldering Temperature (<10s)	Stemp	260	°C
Saturation Input Power	PIN	10	dBm
Transmitter			
Forward Current (LD)	IFD	150	mA
Reverse Voltage (LD)	VrL	2	V
Reverse Voltage (PD)	VrP	15	V

Reverse Current (PD)	IrP	2	mA
Receiver			
Forward Current	IFD @ > 2G	10	mA
	IFD @ < 2G	1000	μA
Reverse Voltage	VR	30	V

Electrical and Optical Characteristics: - Transmitter

(If=lth+20mA, Pf=1mW, SMF (9.5/125μm), Tc=+25+/-2°C, unless otherwise noted.)

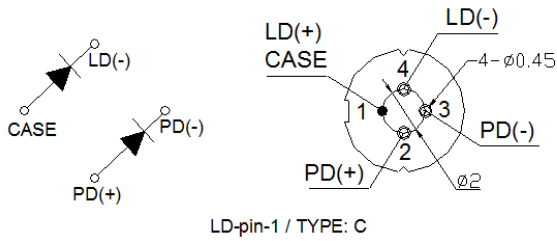
Parameter	Symbol	Condition	Min.	Typ.	Max.	Unit
Threshold Current	lth	CW	3	5	10	mA
Output Power (After coupled)	Pf	CW, If=lth+17mA	1	2.5	3.5	mW
Operating Voltage	Vf	CW, Tc=-40~+85°C	---	1.2	1.6	V
Slope Efficiency	Se	CW, Average	0.05	0.125	0.175	mW/mA
Peak Wavelength	λp	CW	1290	1310	1330	nm
		CW Tc= -40~+85°C	1260	---	1360	
Spectral Width	Δλ	CW, RMS	---	1.5	3	nm
Rise and Fall Time	tr,tf	Ib=lth, PL=1.5mW, 20~80%	V	0.1	0.25	ns
Monitor Current (PD)	Im	CW, PL=1.5mW, VRD=1V	0.05	0.2	0.6	mA
Dark Current (PD)	Id	VRD=10V	---	---	0.01	uA
Capacitance (PD)	Ct	VRD=10V, f=1MHz	---	10	20	pF
Connector Repeatability	---	---	-1	---	1	dB
Optical Isolation	---	Single Stage	30	---	---	dB
		Dual Stage	40	---	---	
Data Rate	---	CW	---	---	2.5	G

Electrical / Optical Specifications: - Receiver

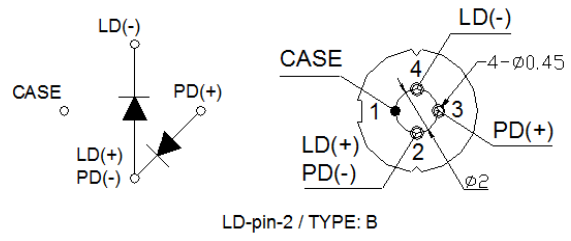
Parameter	Symbol	Test Condition	Min.	Typ.	Max.	Unit
Wavelength Range	λ	---	1100	1550	1610	nm
Active Diameter	A	---	—	75	—	um
Responsibility	R	VR=-5V@1550nm	—	0.90	—	A/W
IMD2	CSO	—	—	-70	—	dB
IMD3	CTB	—	—	-80	—	dB
Dark Current	Id	VR = 5V	—	0.1	1	nA
Capacitance	Cp	VR = 5V	—	0.4	0.8	pF
RF Bandwidth		VR = 5V	1	—	3.2	GHz

Pin Assignment: (Transmitter) *Note1

TYPE: 1

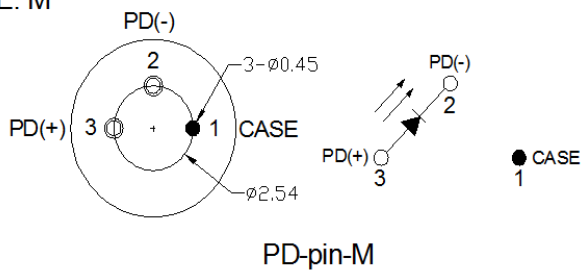


TYPE: 2



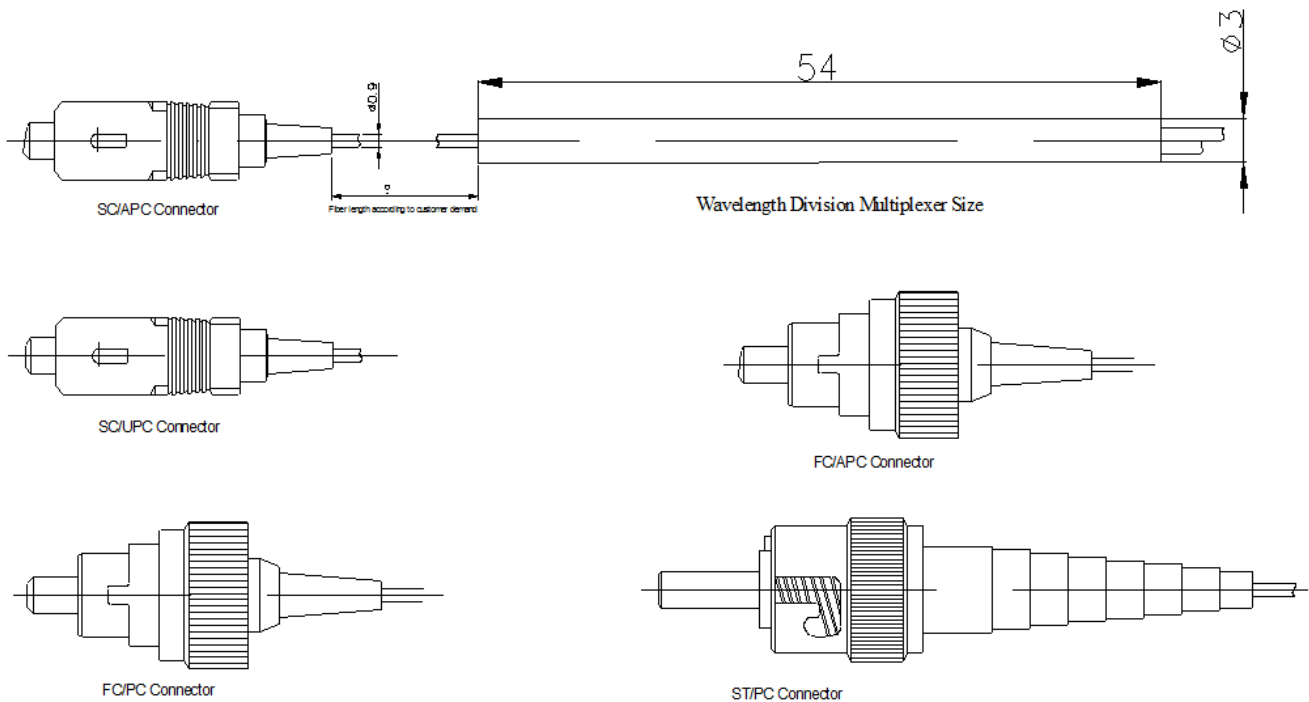
Pin Assignment: (Receiver) *Note1

TYPE: M



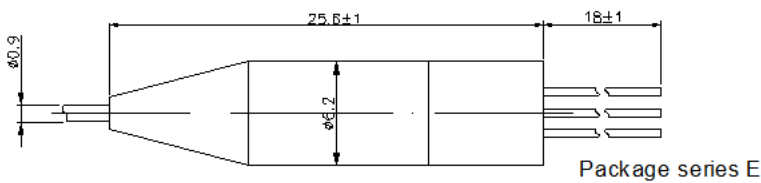
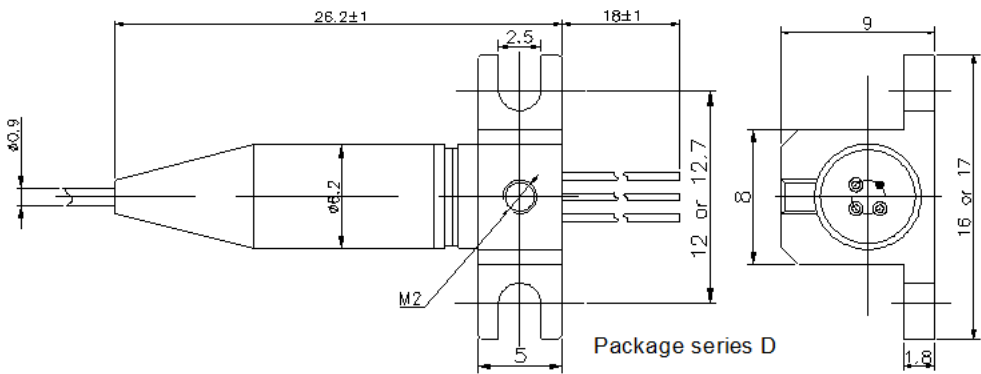
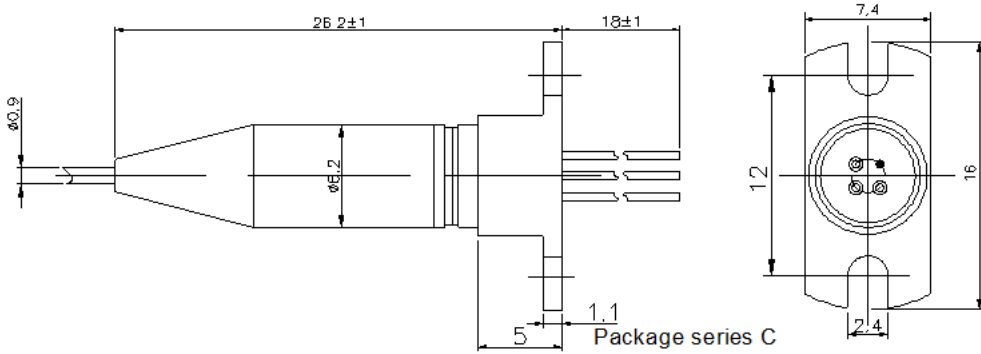
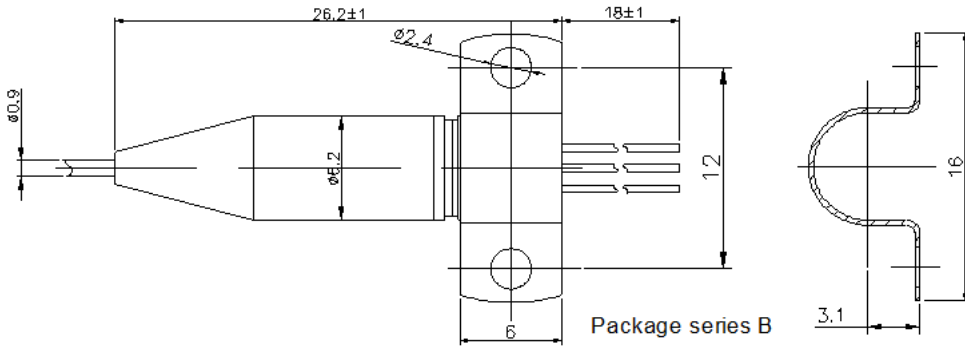
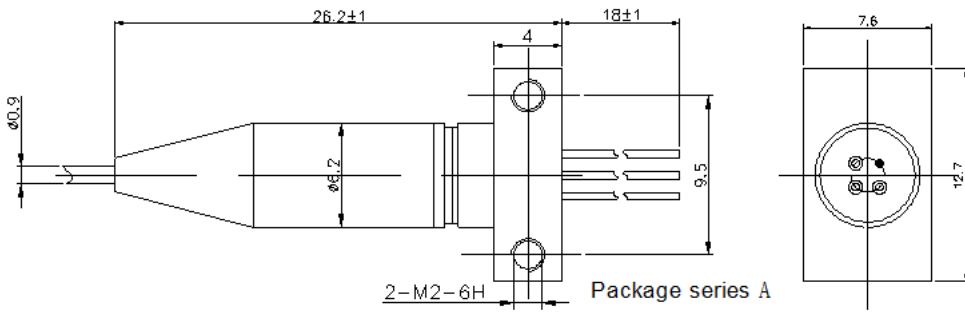
*Note1: Pin assignment can be customized.

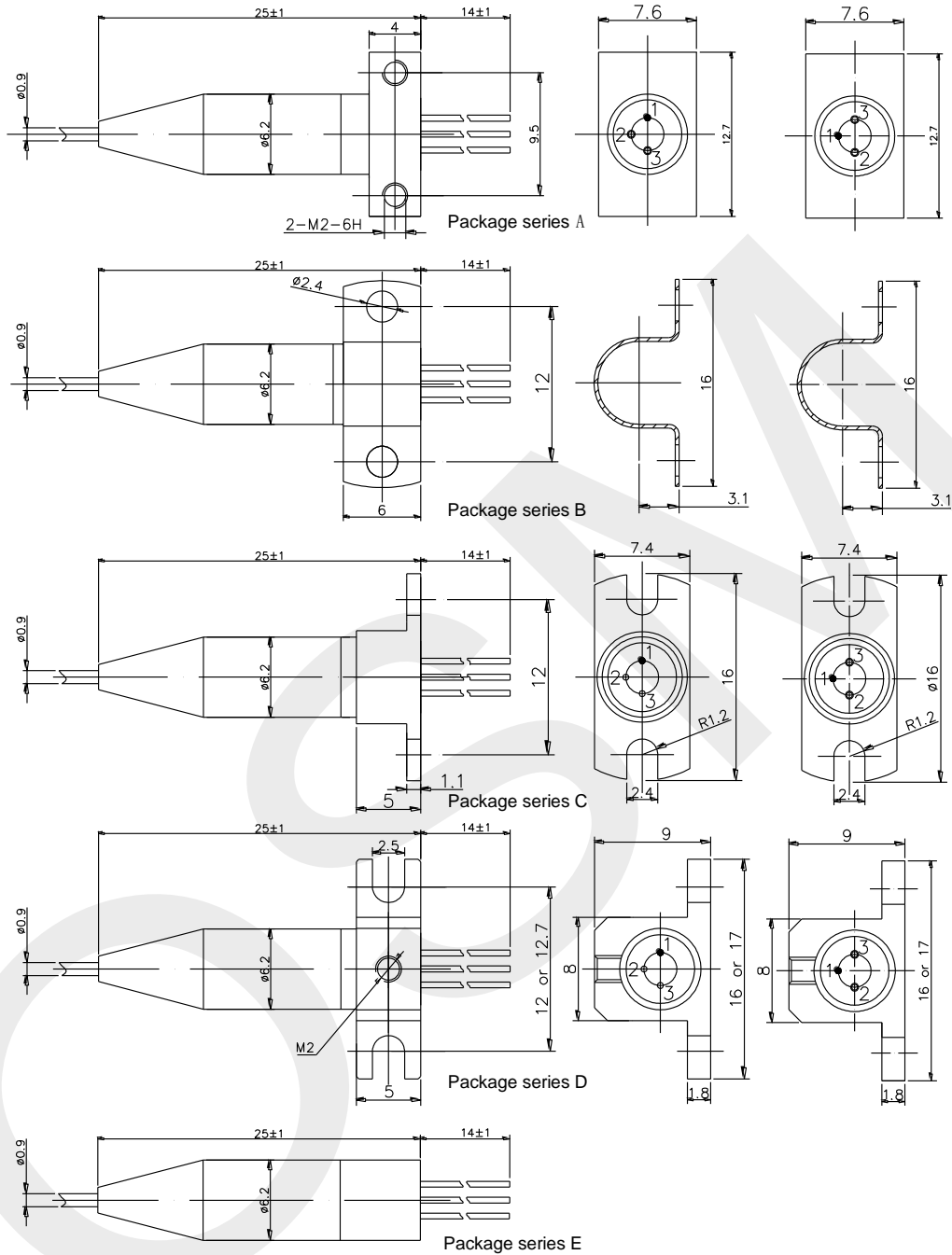
Pigtail Package Series: *Note2



*Note2: Pigtail is standard SM fiber; the length also can be customized.

Transmitter Section: *Note3、 4、 5



Receiver Section: *Note3、 4、 5


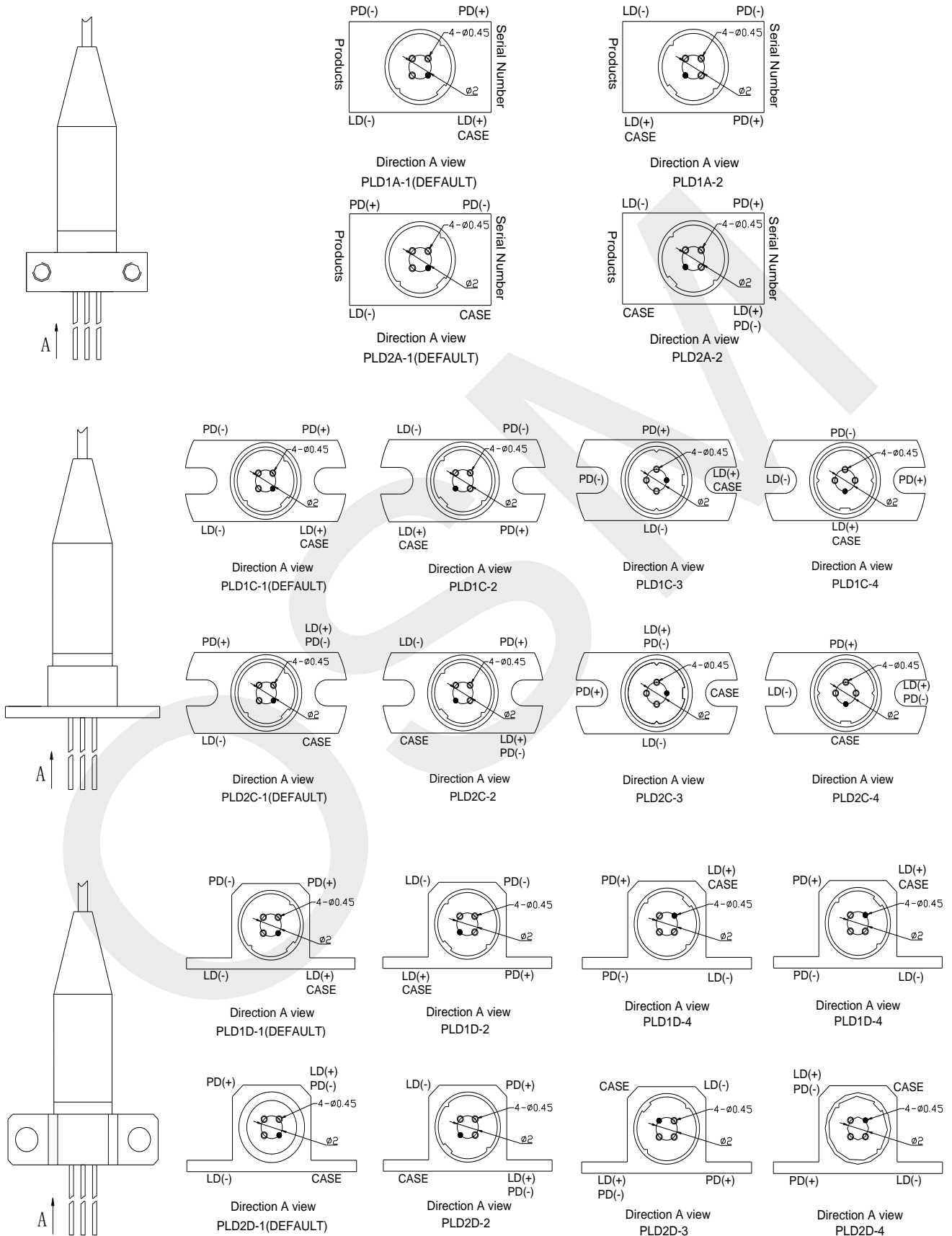
*Note3: PIN direction and laser mark can be customized. Pigtail is standard SM fiber; the length also can be customized.

*Note4: For the package series D, the clamping rings dimensions (A) and drill size (B) are can be selected. The following types can be available. Please designate the detailed type while ordering the package series D.

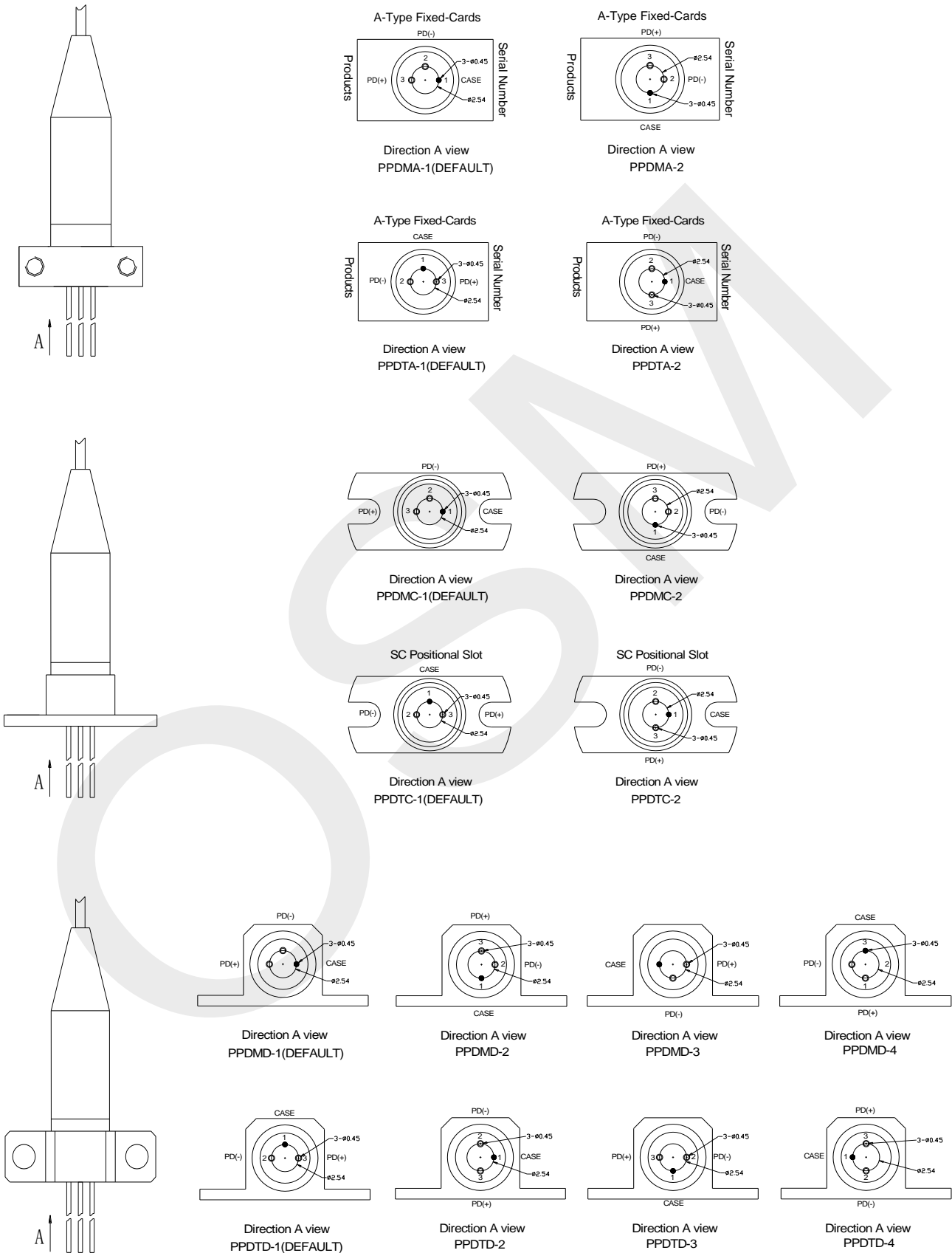
Fixed card type	A(mm)	B(mm)
D	16	12
D-S	17	12.7

*Note5: For the package series B, the fix card is fixed by customer self. For the detailed information of fix card of A, C, D package series, please refers the following graphs.

The Direction of Fix Card: (Transmitter Section)



The Direction of Fix Card: (Receiver Section)



Nomenclature:

OSMW - □ □ T □ □ □ □ □ □ R □ □ □ □ □ □
 A B C D E F G H I J K L M

Code	Parameter	Detailed Description				
A	Package Series	A	B	C	D	E
B	Connector	F=FC/PC	S=SC/PC	T=ST/PC	L=LC/PC	
		M=MU/PC	FA=FC/APC	SA=SC/APC	N=None	
T=Transmitter Section						
C	LD Type	F=FP LD		D=DFB LD		
D	Wavelength	3=1310nm				
E	Data Rate	1=1.25G		2=2.5G		
F	Power	1=0.3-0.7mW	2=0.8-1.8mW	3=1.8-2.8mW	4=2.8-3.5mW	
G	Pin Type	1=LD-pin-1		2=LD-pin-2		
H	Isolator	None		G=with I		G2=with II
R=Receiver Section						
I	Wavelength	A=1550nm				
J	Explore Area	1=75μm				
K	RF Bandwidth	0≤2GHz		1≤2.5GHz		2≤3.2GHz
L	Pin Type	M=PD-pin-M				
M	Fiber Type	Blank=0.9mm		2=2.0mm		3=3.0mm

Precaution:

- (1) The modules should be handled in the same manner as ordinary semiconductor devices to prevent the electro-static damages. For safe keeping and carrying, the modules should be packaged with ESD proof material. To assemble the modules on PCB, the workbench, the soldering iron and the human body should be grounded.
- (2) Please pay special attention to the atmosphere condition because the dew on the module may cause some electrical damages.
- (3) Under such a strong vibration environment as in automobile, the performance and reliability are not guaranteed.

Notice:

OSM reserves the right to make changes or discontinue any product or service identified in this publication, without notice, in order to improve design and/or performance. Applications that are described herein for any of the products are for illustrative purposes only. OSM makes no representation or warranty that such applications will be suitable for the specified use without further testing or modification.